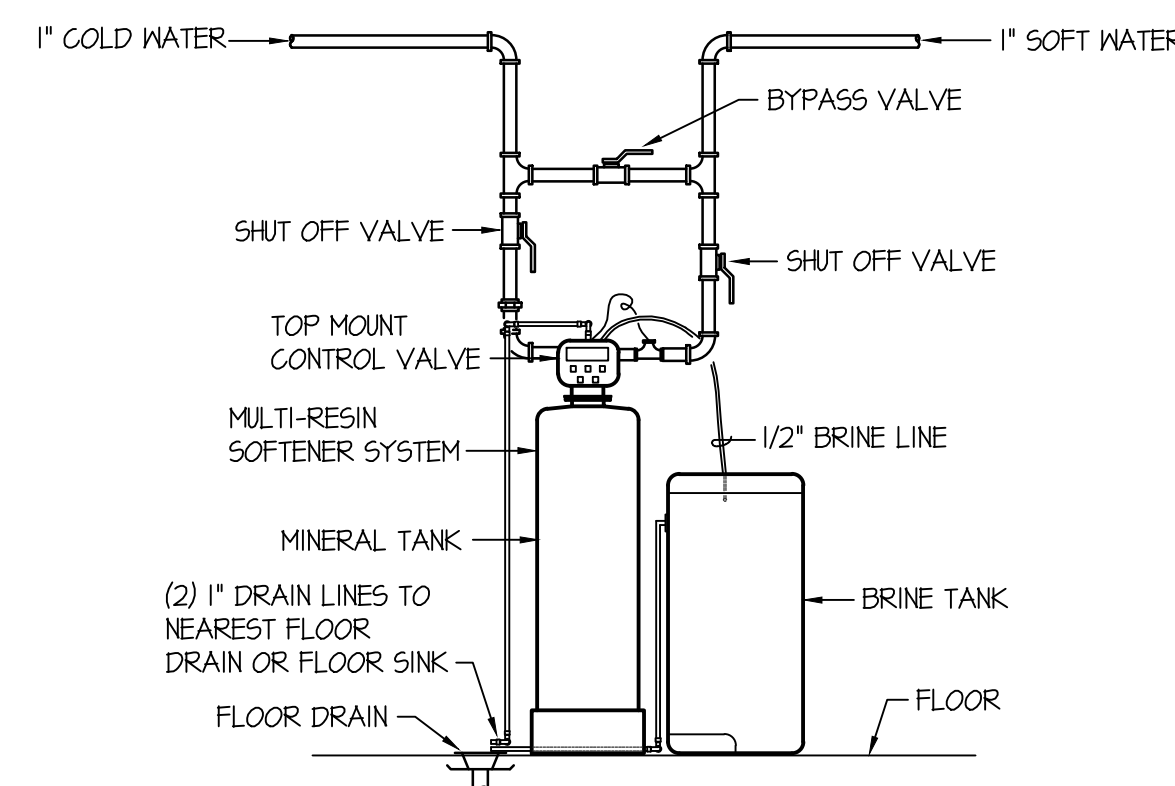


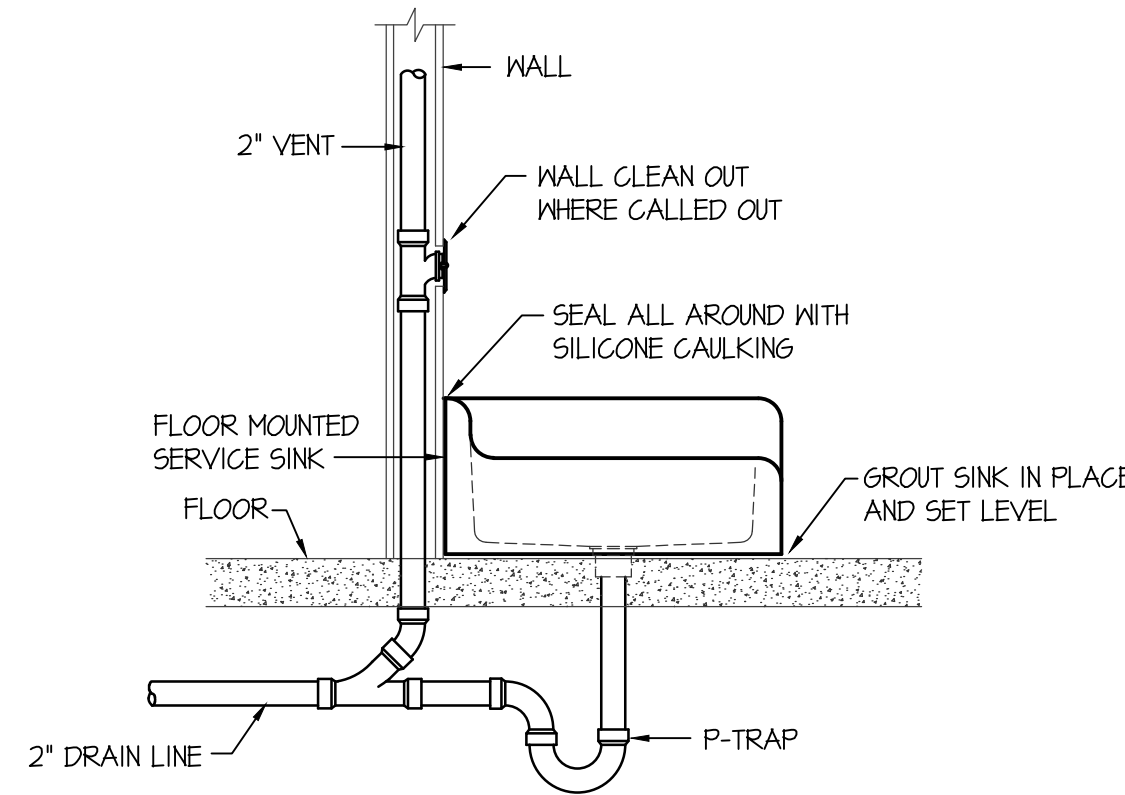
- WET RISER DETAIL NOTES**
- 1 6" WATER SUPPLY FROM CITY WATER MAIN. USE CLASS 53 DUCTILE IRON WHEN CROSSING UNDER BLDG FOUNDATION.
  - 2 USE FLEXIBLE GROOVED PIPE COUPLING ONLY IF SEISMIC BRACING IS REQUIRED. SEE NOTE #12.
  - 3 GROOVED BUTTERFLY VALVE WITH INTEGRAL SUPERVISORY SWITCH.
  - 4 DOUBLE CHECK BACKFLOW PREVENTER WITH RELATED TRIM AND GAUGES.
  - 5 3-1/2" DIAMETER WATER GAUGE WITH 1/4" TEST AND ISOLATION VALVE.
  - 6 VANE TYPE WATER FLOW SWITCH.
  - 7 SUPPLY TO WET PIPE FIRE SPRINKLER SYSTEM.
  - 8 SWING CHECK VALVE.
  - 9 RISER MANIFOLD - INCLUDES PREGURE GAUGE, FLOW SWITCH, PREGURE RELIEF VALVE, AND TEST AND MAIN DRAIN DEVICE.
  - 10 INSPECTOR'S TEST & MAIN DRAIN DEVICE (IT) - PIPE TO OUTSIDE.
  - 11 PREGURE RELIEF VALVE SHALL BE REQUIRED SET AT 175 PSI-PIPED TO DISCHARGE OUTSIDE.
  - 12 SEISMIC BRACING REQUIRED IN SEISMIC DESIGN CATEGORY C, D, E, F.
  - 13 1/2" AUTOMATIC BALL DRIP VALVE.
  - 14 PIPE TO DRAIN OUTSIDE.
  - 15 WEATHERPROOF ELECTRIC BELL OR HORN AND STROBE (OUTSIDE).
  - 16 OUT TO FIRE DEPARTMENT CONNECTION WITH GALVANIZED SCH 40 PIPING- PPOVIDE BALL DRIP WHEN TRAPPING PIPE. SIZE CONNECTION AS REQUIRED. NOTE: PIPE FDC TO REMOTE LOCATION ON STAKE BUILDINGS AND WHEN REQUIRED BY FIRE MARSHAL.
  - 17 GALVANIZED FLANGE AND SPOOL PIECE
  - 18 CLASS 53 D.I. FLANGED SPIGOT
  - 19 3/4" A.T.R.
  - 20 3/4" BENT EYE BOLT
  - 21 MECHANICAL JOINT 90° ELL
  - 22 CONCRETE THRUST BLOCK WITH 5 SQ. FEET BEARING AREA
  - 23 UNDISTURBED EARTH
  - 24 LOW TEMPERATURE SENSOR - MOUNTED ON WALL - THIS SWITCH IS PROVIDED UNDER DIVISION 28 OF THE SPECIFICATIONS.
  - 25 SPARE HEAD CABINET WITH SPARE SPRINKLER HEADS AND WRENCHES.
  - 26 LAMINATED SYSTEM MAP WITH SYSTEM START-UP AND SHUT-DOWN INSTRUCTIONS.

**NOTE:**  
PROVIDE SLEEVES WHERE PIPING PENETRATES BUILDING AT FLOOR AND WALLS. SEAL AROUND PENETRATION WITH FLEXIBLE MASTIC AT FLOOR. PROVIDE 2" ANNULAR SPACE AROUND AND RESTRAIN FLANGE SPIGOT.

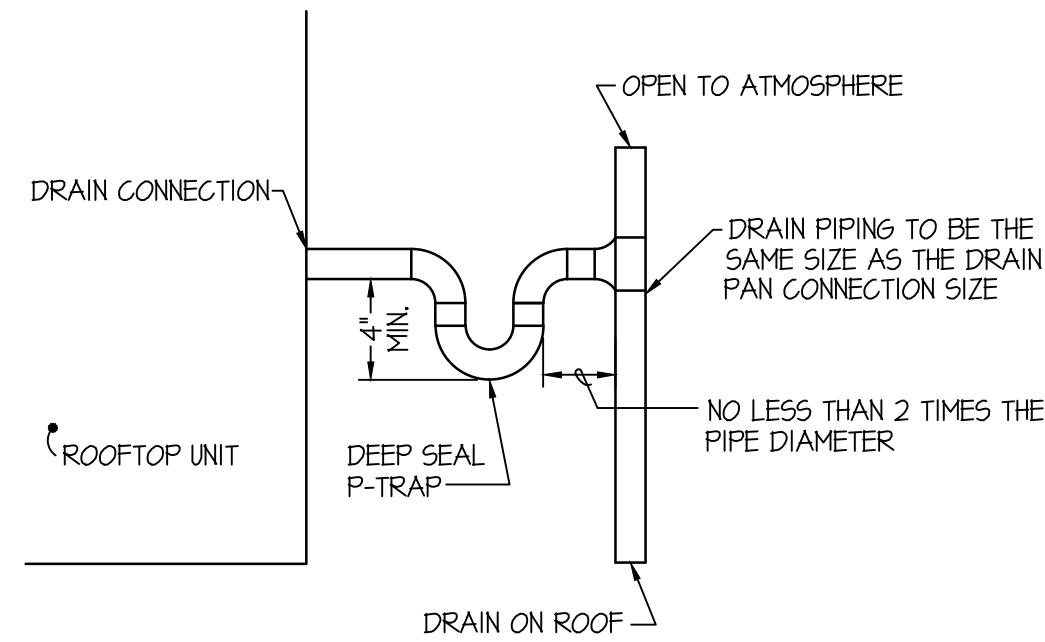
**VERTICAL FIRE RISER DETAIL**  
NO SCALE



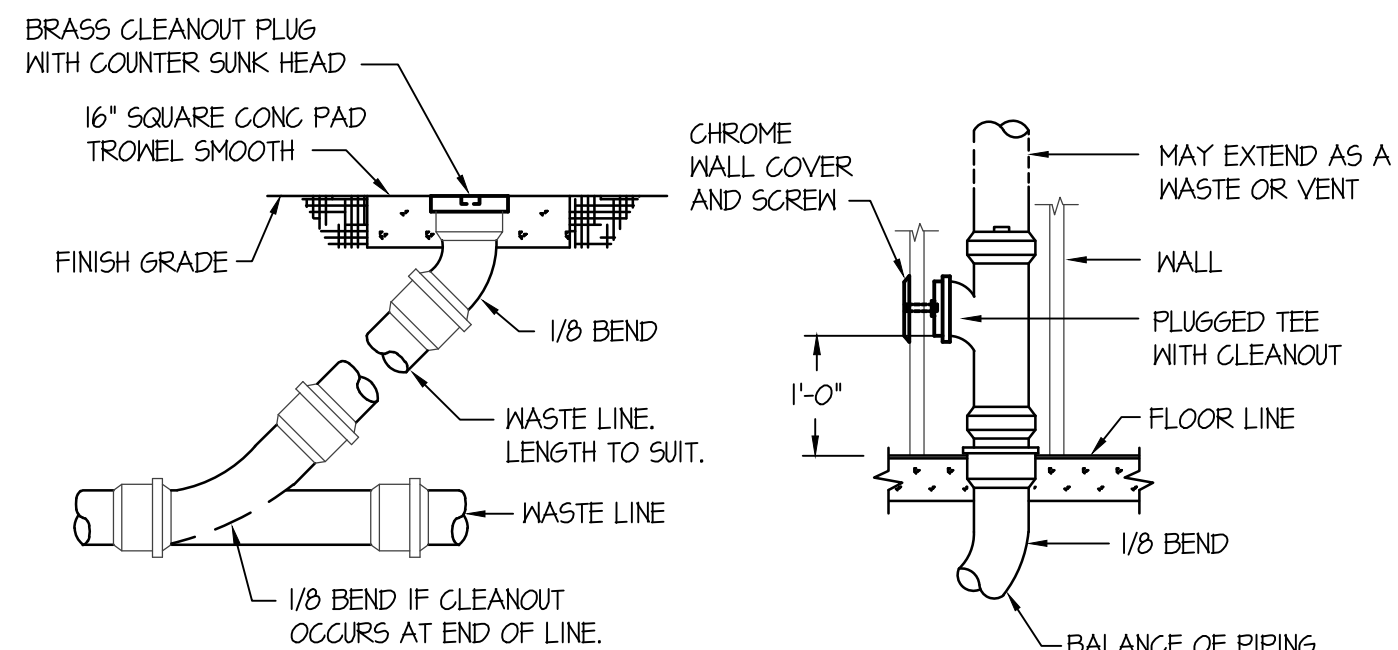
**WATER SOFTENER PIPING DIAGRAM**  
NO SCALE



**SERVICE SINK INSTALLATION DETAIL**  
NO SCALE



**CONDENSATE DRAIN (ROOFTOP UNIT)**  
NO SCALE



**CLEAN OUT DETAILS**  
NO SCALE

FIXTURE SCHEDULE					
SYM.	DESCRIPTION	HOT	COLD	WASTE	VENT
(DF-1)	BH-LEVEL DRINKING FOUNTAIN - ELKAY MODEL EZ-5TL8WELK WITH EZH2O BOTTLE FILLER FLEXI-GUARD BUBBLERS, 1/2" STOP AND 1-1/2" P-TRAP. PROVIDE ALL INTERCONNECTING PIPING AND DRAIN.	---	1/2"	1-1/2"	1-1/2"
(DS-1)	ROOF DRAIN DOWN SPOUT - JAY R SMITH MODEL IT70 SIZE 4" WITH ROUGH BRONZE FINISH AND 4" DRAIN LINE CONNECTION.	---	---	4"	---
(DS-2)	ROOF DRAIN DOWN SPOUT - JAY R SMITH MODEL IT70 SIZE 6" WITH ROUGH BRONZE FINISH AND 6" DRAIN LINE CONNECTION.	---	---	6"	---
(DWH-1)	UNDER COUNTER DISHWASHER - ROUGH-IN AND CONNECT 1/2" HOT WATER WITH STOP VALVE & 3/4" DRAIN LINE TO SINK SIDE OF P-TRAP ON S-1 USING DISHWASHER CONNECTION.	1/2"	---	3/4" TO (S-2)	---
(FD-1)	2" FLOOR DRAIN WITH PRIMER - ZURN Z-415B WITH 5" NICKEL-BRONZE STRAINER AND 2" DEEP SEAL P-TRAP WITH ZURN I022 TRAP PRIMER.	---	---	2"	2"
(FS-1)	FLOOR SINK - ZURN Z-190-KG WITH WHITE ENAMEL FINISH, DOME STRAINER AND 4" DEEP SEAL P-TRAP. PROVIDE HALF GRATE OVER SINK.	---	---	4"	2"
(HB-1)	EXTERIOR HOSE BIBB - ZURN MODEL Z-1310 "ECOLOTRON" WITH REMOVABLE KEY. LENGTH TO SUIT WALL THICKNESS.	---	3/4"	---	---
(IM-1)	ICE MAKER - TO BE FURNISHED BY OWNER. PLUMBER TO ROUGH-IN AND INSTALL 1/2" CW WITH BACKFLOW PREVENTOR AND BALL STOP VALVE. RUN 3/4" PVC DRAIN FROM UNIT TO FLOOR SINK WITH AIRGAP.	---	1/2"	3/4" TO (FS-1)	---
(JS-1)	FLOOR MOUNTED SERVICE SINK - KOHLER K-6710 "WHITBY" W/ K-8440 WIRE RIM GUARD, K-8428 FAUCET ASSEMBLY & K-4142 STRAINER & DEEP SEAL P-TRAP. HOSE & HOSE CLAMP	1/2"	1/2"	2"	2"
(L-1)	ADA UNDER COUNTER MOUNTED LAVATORY - KOHLER MODEL K-2210-O UNDERCOUNTER SINK "CAXTON" WITH SLOAN EBF-18T BATTERY FAUCET, K-T115 OPEN GRID STRAINER, 1/2" BALL STOPS AND 1-1/4" P-TRAP. PROVIDE INSULATING JACKET ON HW PIPING AND P-TRAP.	1/2"	1/2"	1-1/2"	1-1/2"
(L-2)	UNDER COUNTER MOUNTED LAVATORY - KOHLER MODEL K-2210-O UNDERCOUNTER SINK "CAXTON" WITH SLOAN EBF-18T BATTERY FAUCET, K-T115 OPEN GRID STRAINER, 1/2" BALL STOPS AND 1-1/4" P-TRAP	1/2"	1/2"	1-1/2"	1-1/2"
(OD-1)	ROOF OVERFLOW DRAIN - JAY R SMITH MODEL 1080 SIZE 4" WITH 2" HIGH WATER DAM, UNDERDECK CLAMP AND 36" SQUARE FLASHING.	---	---	4"	---
(OD-2)	ROOF OVERFLOW DRAIN - JAY R SMITH MODEL 1080 SIZE 6" WITH 2" HIGH WATER DAM, UNDERDECK CLAMP AND 36" SQUARE FLASHING.	---	---	6"	---
(RB-1)	REFRIGERATOR SUPPLY BOX - GUY GRAY MODEL B1M815 W/ 1/2" x 1/4" SHUT OFF VALVE	---	1/2"	---	---
(RD-1)	ROOF DRAIN - JAY R SMITH MODEL 1010 SIZE 4" WITH UNDERDECK CLAMP AND 36" SQUARE FLASHING.	---	---	4"	---
(RD-2)	ROOF DRAIN - JAY R SMITH MODEL 1010 SIZE 6" WITH UNDERDECK CLAMP AND 36" SQUARE FLASHING.	---	---	6"	---
(RP-1)	CIRCULATING PUMP - GRUNDFOS MODEL UP15-10BT BRONZE PUMP WITH 3/4" FLANGES (2 GPM @ 5' OF HEAD) 120/60/1	3/4"	---	---	---
(S-1)	SINGLE COMPARTMENT SINK - ELKAY MODEL LR-2219 WITH 18 GA TYPE 304 STAINLESS STEEL CONSTRUCTION, 3-HOLE FAUCET DRILLINGS, LK-4100 LEVER HANDLE FAUCET, LK-49 STRAINERS, 1-1/2" P-TRAP AND 1/2" BALL TYPE STOP VALVES.	1/2"	1/2"	2"	2"
(S-2)	DOUBLE COMPARTMENT SINK - ELKAY MODEL LR-3319 WITH 18 GA TYPE 304 STAINLESS STEEL CONSTRUCTION, 3-HOLE FAUCET DRILLINGS, MOEN 7560SL FAUCET, (2) LK-49 STRAINERS, 1-1/2" P-TRAP AND 1/2" BALL TYPE STOP VALVES.	1/2"	1/2"	2"	2"
(U-1)	ADA WALL MOUNTED URINAL - KOHLER K-4484-T "FRESHMAN" WITH WALL CARRIER & SLOAN REGAL BATTERY FLUSH VALVE. MOUNT AT ADA LEVEL.	---	3/4"	2"	2"
(U-2)	WALL MOUNTED URINAL - KOHLER K-4484-T "FRESHMAN" W/ WALL CARRIER & SLOAN REGAL BATTERY FLUSH VALVE.	---	3/4"	2"	2"
(WC-1)	ADA FLUSH VALVE WATER CLOSET - KOHLER K-46051 "HIGHCLIFF" WITH ELONGATED BOWL, K-4670C WHITE OPEN FRONT SEAT, SLOAN REGAL BATTERY FLUSH VALVE AND CHINA BOLT CAPS.	---	1"	4"	2"
(WC-2)	FLUSH VALVE WATER CLOSET - KOHLER K-46053 "WELCOMME" WITH ELONGATED BOWL, K-4670C WHITE OPEN FRONT SEAT, SLOAN REGAL BATTERY FLUSH VALVE AND CHINA BOLT CAPS.	---	1"	4"	2"
(WH-1)	GAS WATER HEATER - A.O. SMITH MODEL 6PVX-50L HEATER WITH 120 VOLT POWER CORD, AMTROL ST-5 EXPANSION TANK, T4P VALVE. 60,000 BTU INPUT. SEE DETAIL ON SHEET P300	3/4"	3/4"	---	---
(WS-1)	WATER SOFTENER SYSTEM- SOFTENER SYSTEM BY LOCAL COMPANY SIZED FOR PEAK FLOW OF 20 GPM AND HARDNESS OF WATER ON SITE. SEE DETAIL THIS SHEET.	-	1"	---	---

CONTRACTOR SHALL VERIFY ALL DIMENSIONS & CONDITIONS SHOWN OR IMPLIED

DRAWING SCALE APPLIES TO 22' X 34' SHEET SIZE

REVISION DATE

DRAWN BY: SR  
 CHECKED BY: DCS  
 JOB NUMBER: 46548-13B  
 PROJECT DATE: FEB. 2020  
 SHEET OF

ORIGINAL DRAWING SIGNED BY: DWAYNE C. SUDWEEKS  
 DATE ORIGINAL SIGNED: FEB. 14, 2020  
 ORIGINAL ON FILE AT ENGINEERED SYSTEMS ASSOCIATES  
 1355 EAST CENTER, POCATELLO, IDAHO 83201

**Engineered Systems Associates**  
 1355 EAST CENTER POCATELLO, IDAHO 83201  
 PHONE: (208) 233-0501  
 FAX: (208) 233-0529  
 EMAIL: esa@engsystems.com  
 ESA JOB NUMBER: 18080

